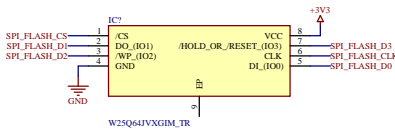


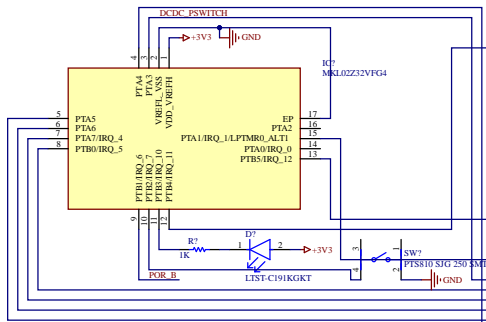
| | | | |
|-------|--------------------------|--|-----------|
| Title | | | |
| Size | Number | | Revision |
| A | | | |
| Date: | 2/07/2023 | | Sheet of |
| File: | C:\Users\...\Main.SchDoc | | Drawn By: |

Main MCU: IMXRT1062

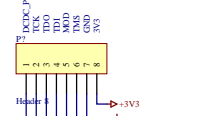
Flash Memory: W25Q64JVXGIM



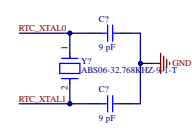
Bootloader: MKL02Z32VFG4



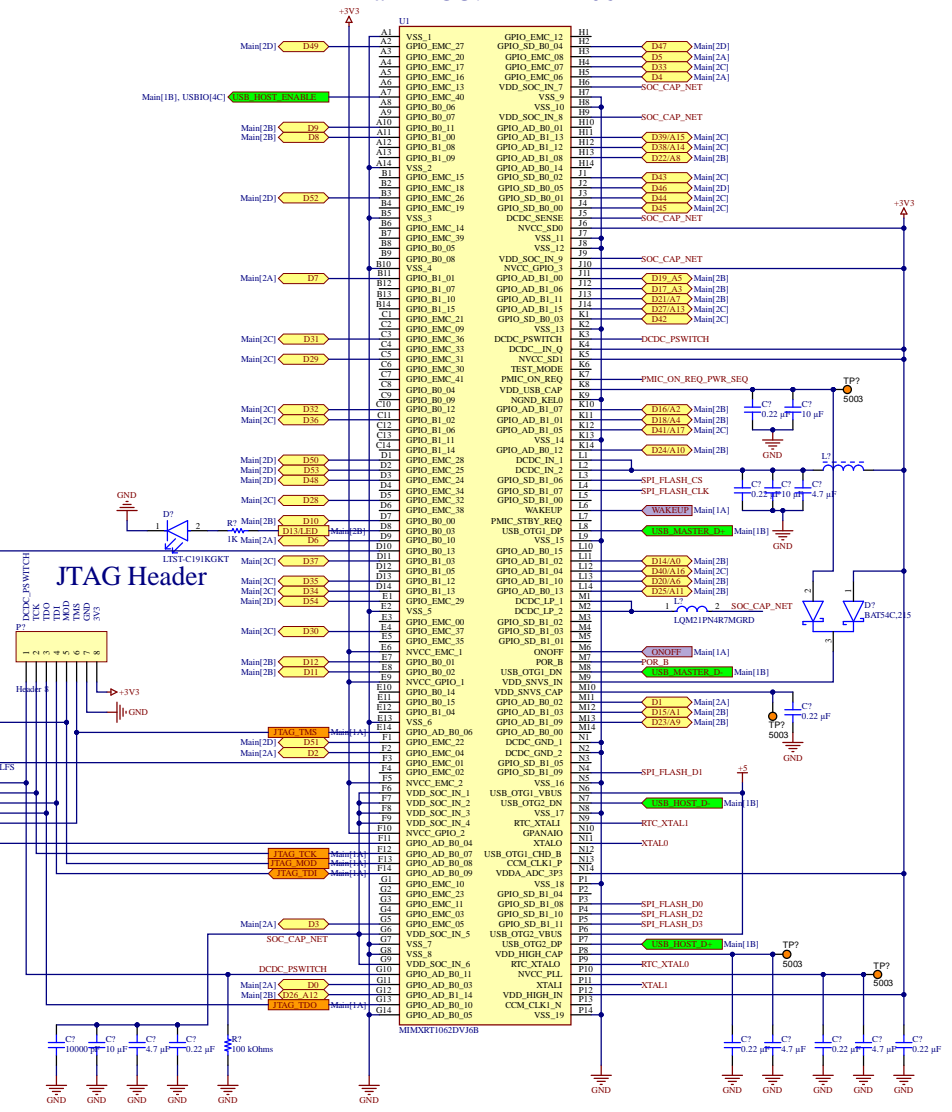
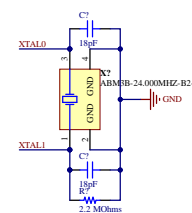
JTAG Header



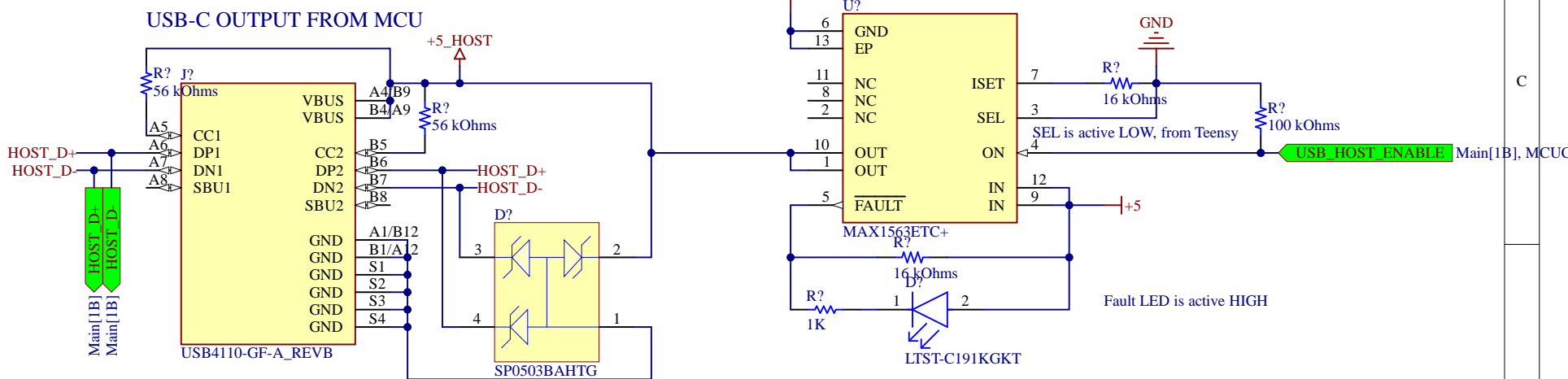
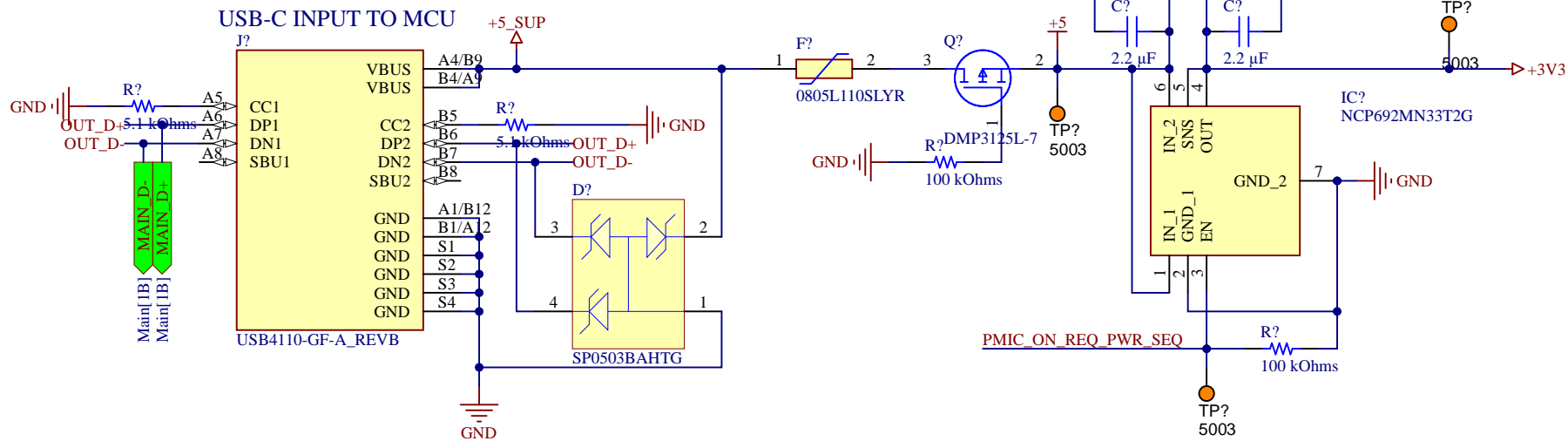
RTC Crystal



Main Crystal

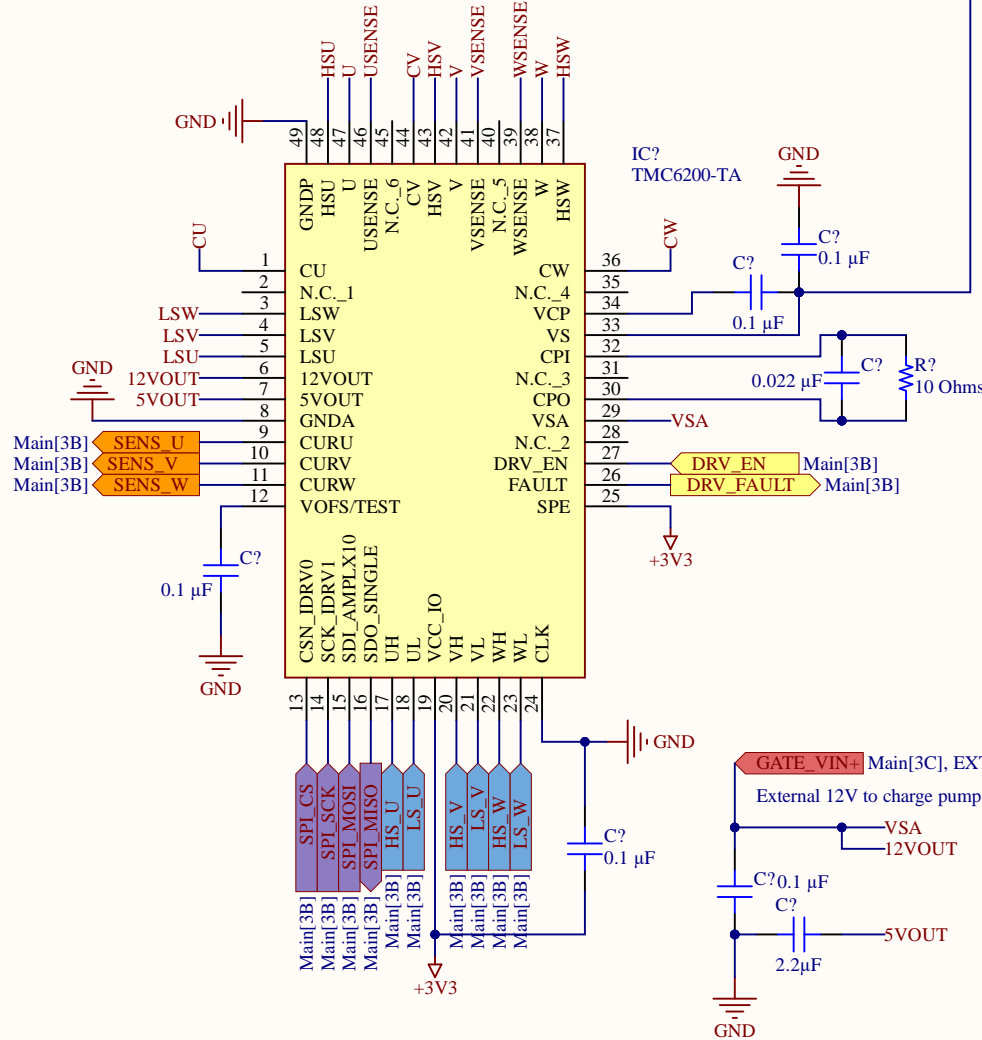


| Title | | |
|--------|----------------------------|-----------|
| Size | Number | Revision |
| Ocad C | | |
| Date: | 2023/03/23 | Sheet of |
| File: | C:\Users\MCU\Custom_SchDoc | Drawn By: |

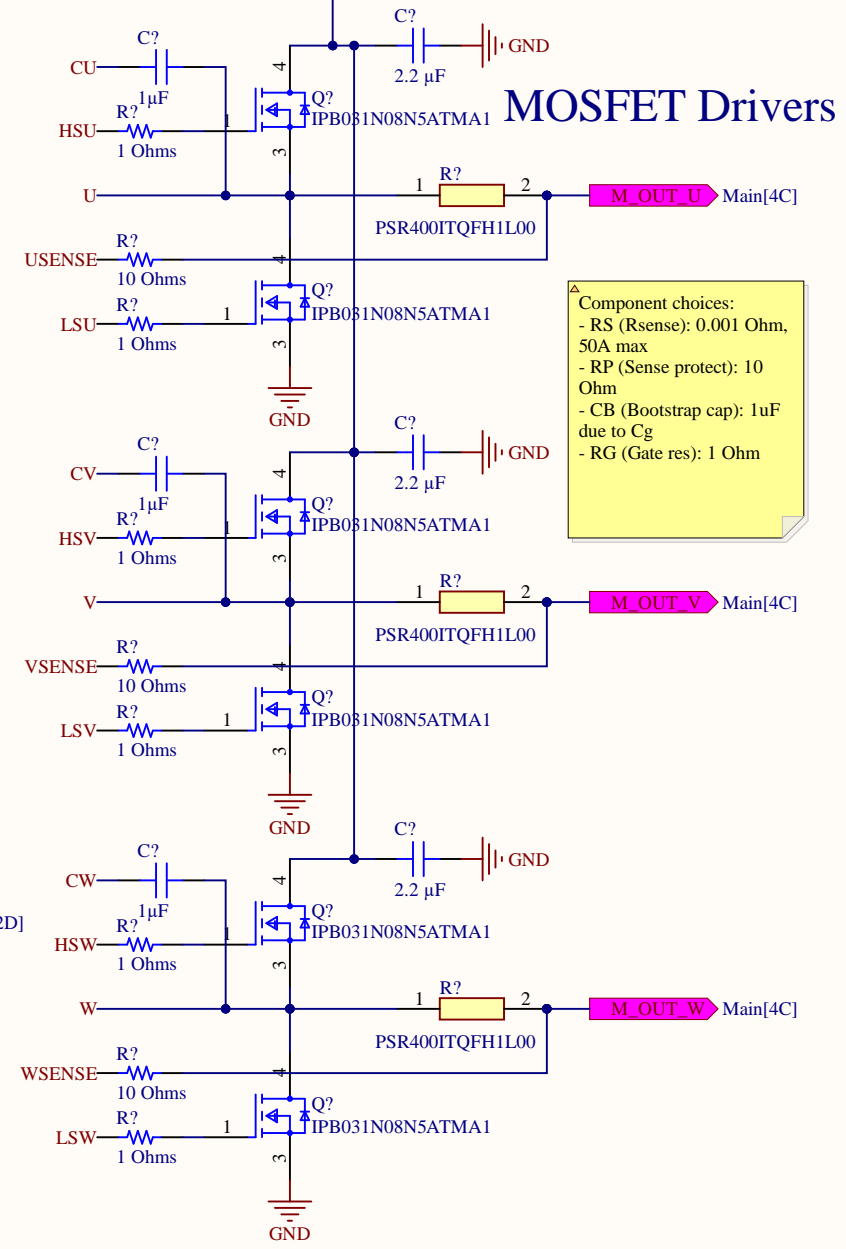


| | | |
|-------|---------------------------|-----------|
| Title | | |
| Size | Number | Revision |
| A | | |
| Date: | 2/07/2023 | Sheet of |
| File: | C:\Users\...\USBIO.SchDoc | Drawn By: |

TMC6200 Gate Driver



Main[3C], HVin[2C] HV+

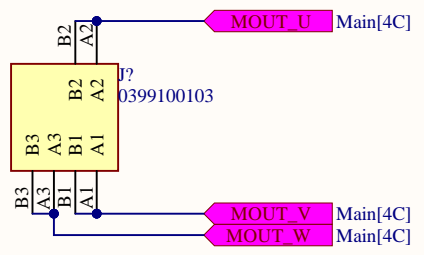


MOSFET Drivers

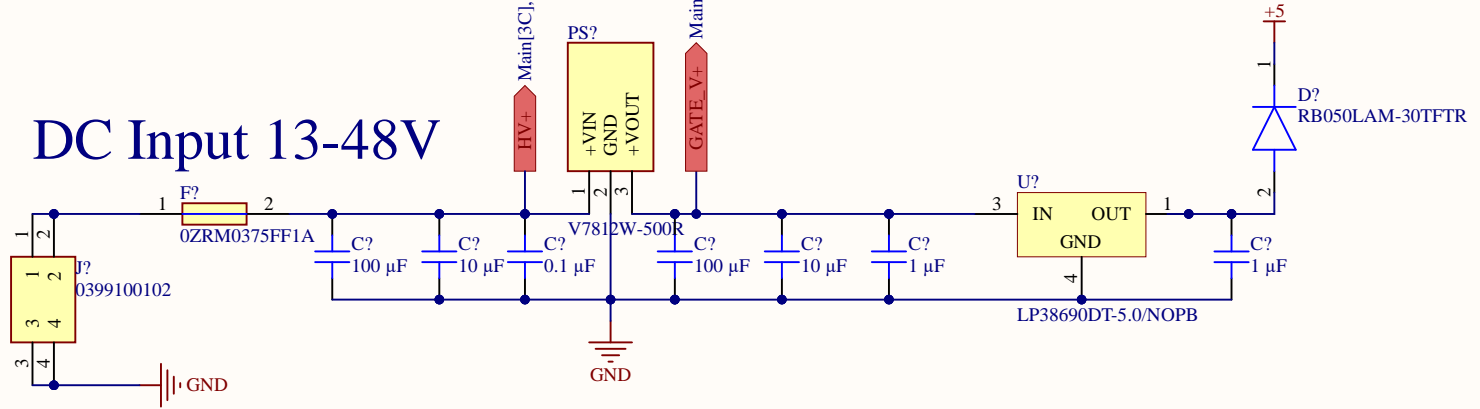
Component choices:
 - RS (Rsense): 0.001 Ohm, 50A max
 - RP (Sense protect): 10 Ohm
 - CB (Bootstrap cap): 1uF due to Cg
 - RG (Gate res): 1 Ohm

| | | |
|-------|----------------------------|-----------|
| Title | | |
| Size | Number | Revision |
| A | | |
| Date: | 2/07/2023 | Sheet of |
| File: | C:\Users\...\Gating.SchDoc | Drawn By: |

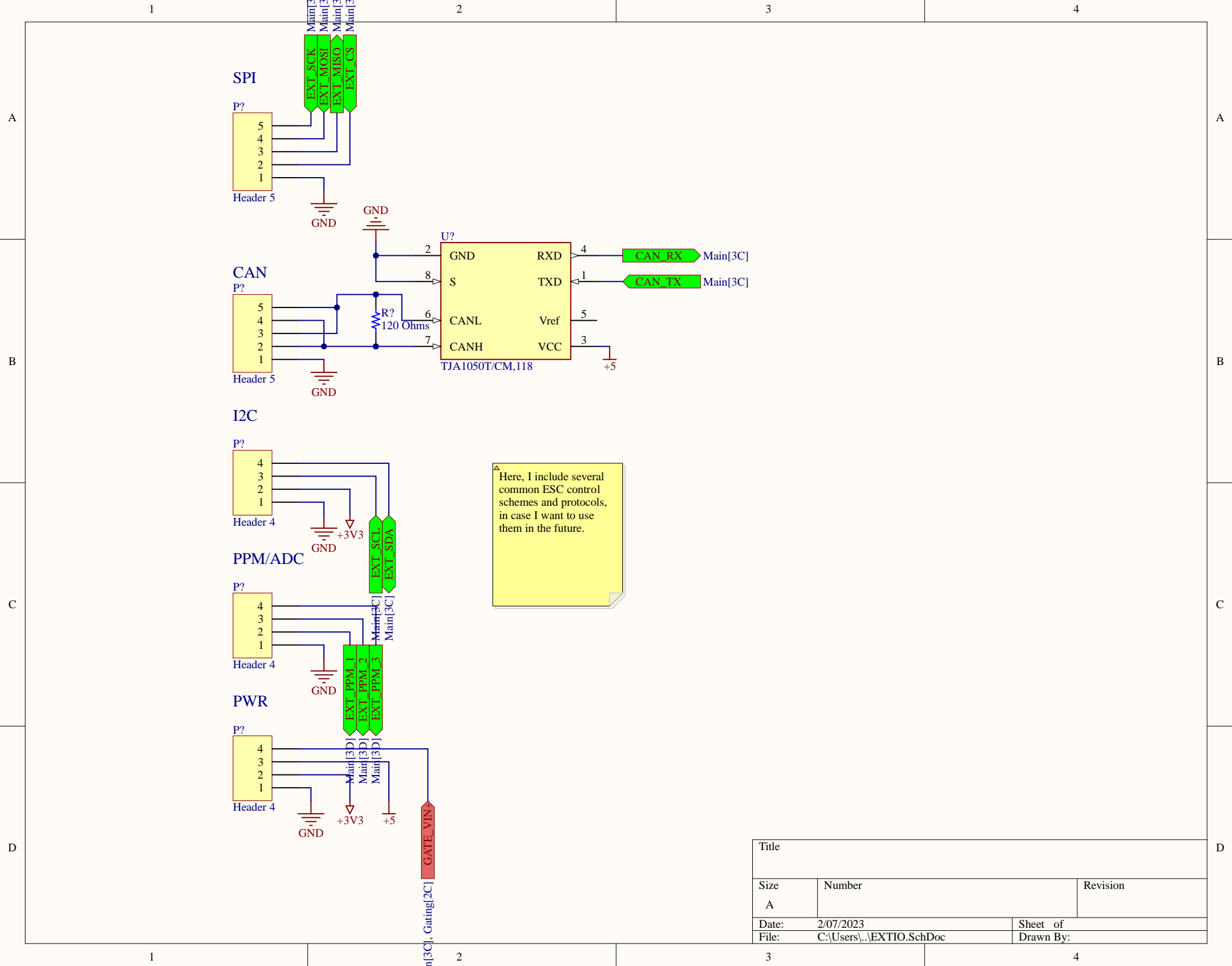
Motor Output



DC Input 13-48V



| | | |
|-------|--------------------------|-----------|
| Title | | |
| Size | Number | Revision |
| A | | |
| Date: | 2/07/2023 | Sheet of |
| File: | C:\Users\...\HVIn.SchDoc | Drawn By: |



| | | |
|-------|---------------------------|-----------|
| Title | | |
| Size | Number | Revision |
| A | | |
| Date: | 2/07/2023 | Sheet of |
| File: | C:\Users\...\EXTIO.SchDoc | Drawn By: |

Board Stack Report