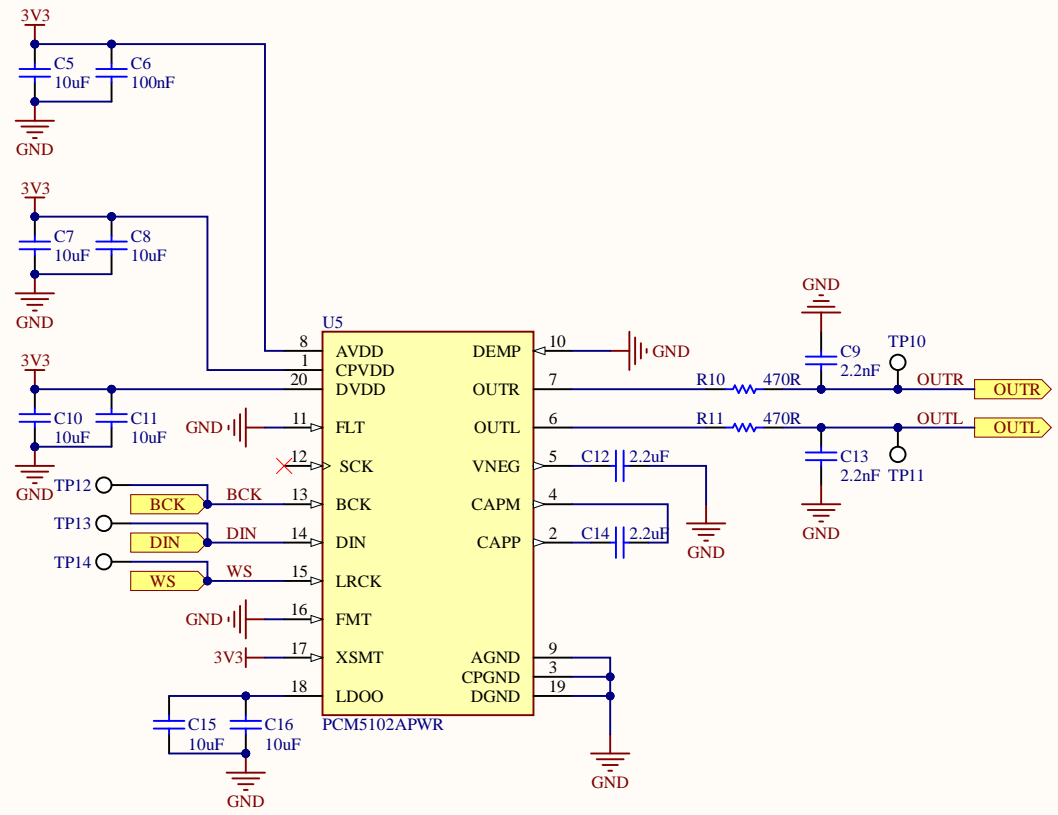
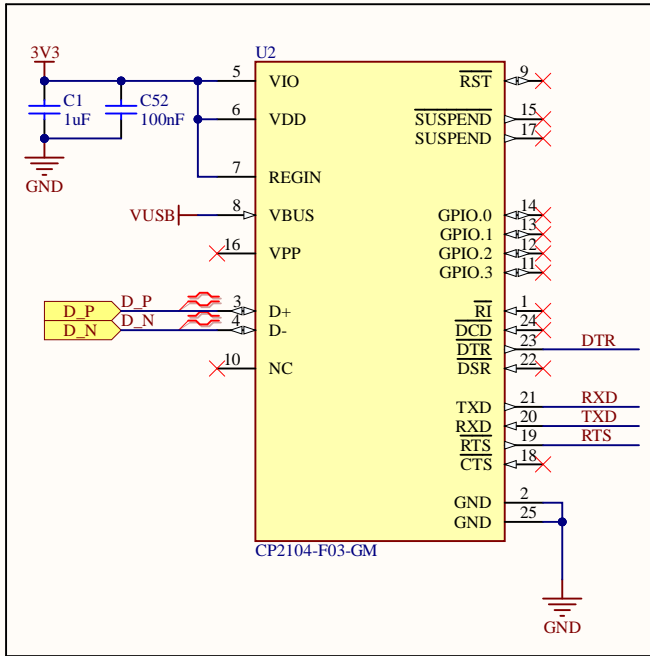


Title		
Size	Number	Revision
A		
Date:	1/05/2023	Sheet of
File:	Amplifier.SchDoc	Drawn By:

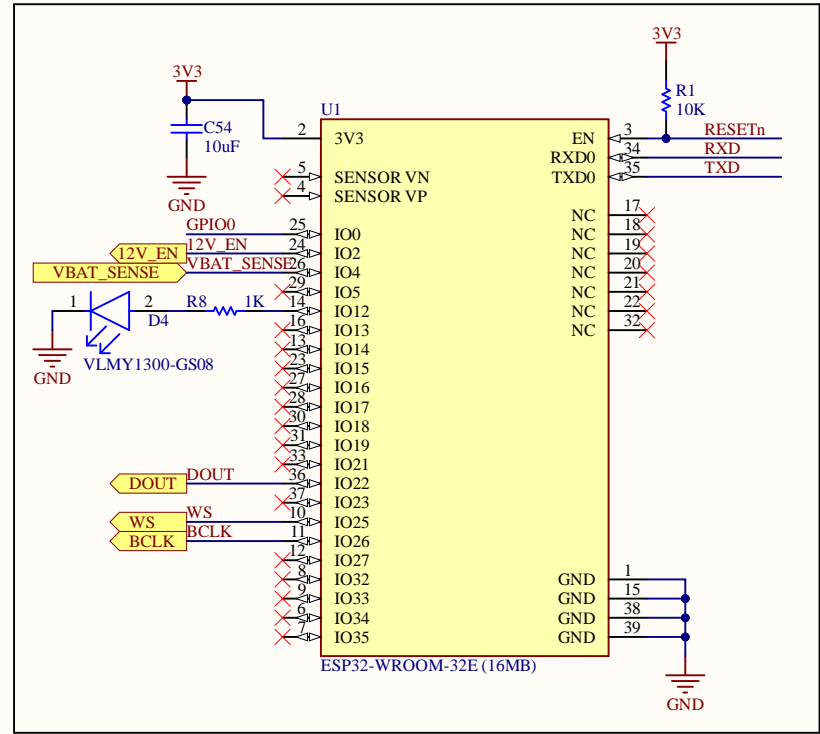


Title		
Size	Number	Revision
A		
Date:	1/05/2023	Sheet of
File:	DAC.SchDoc	Drawn By:

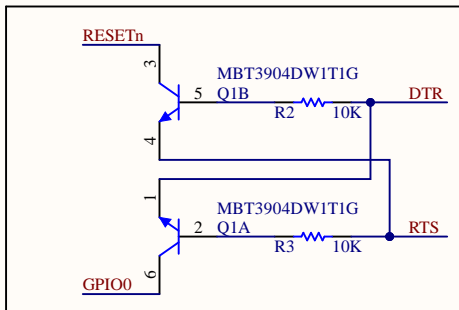
USB-Serial Adapter



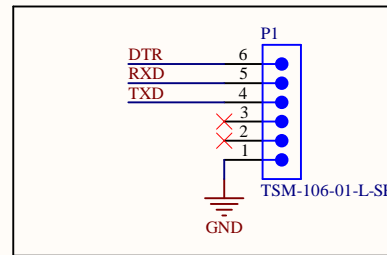
ESP32



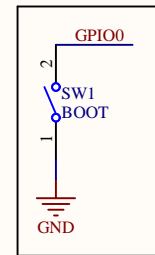
Autoreset



Programming Header

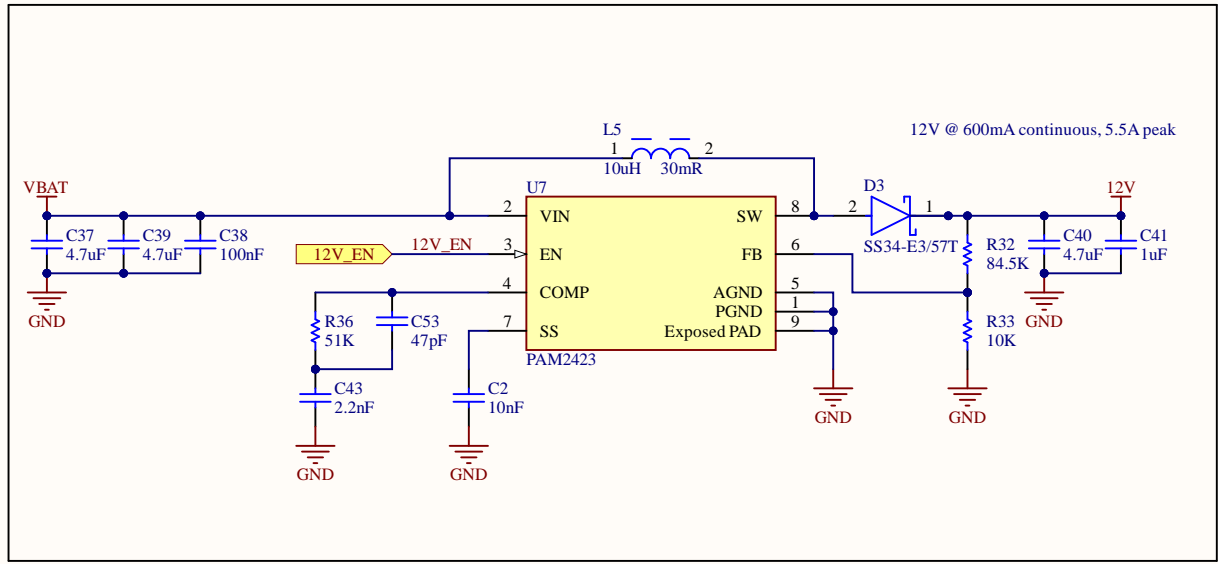


BOOT Button

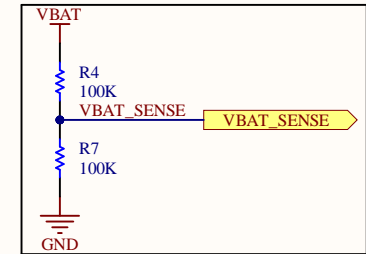


Title		
Size	Number	Revision
A		
Date:	1/05/2023	Sheet of
File:	MCU.SchDoc	Drawn By:

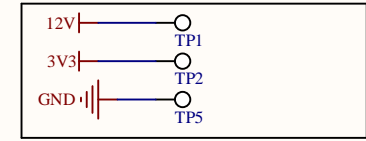
12V Boost Converter



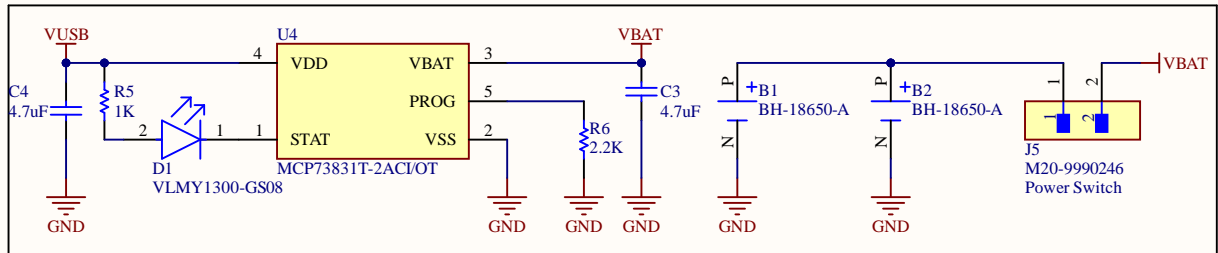
Battery Level Sense



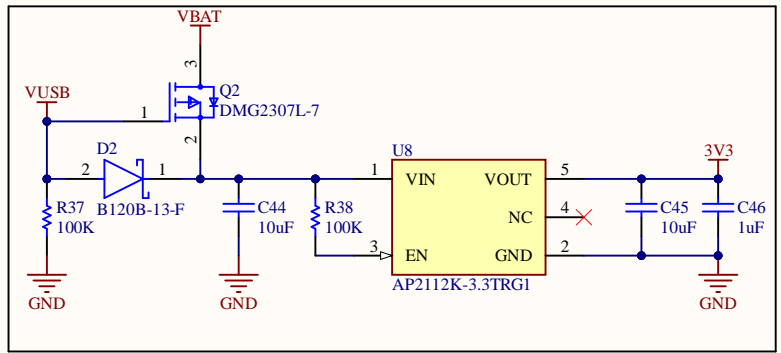
Voltage Testpoints



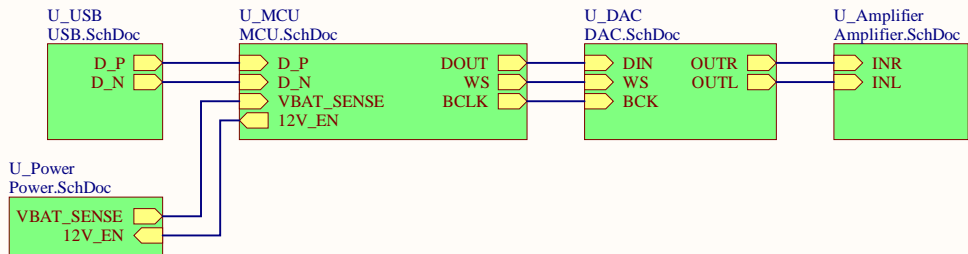
Battery Charger



3.3V Linear Regulator

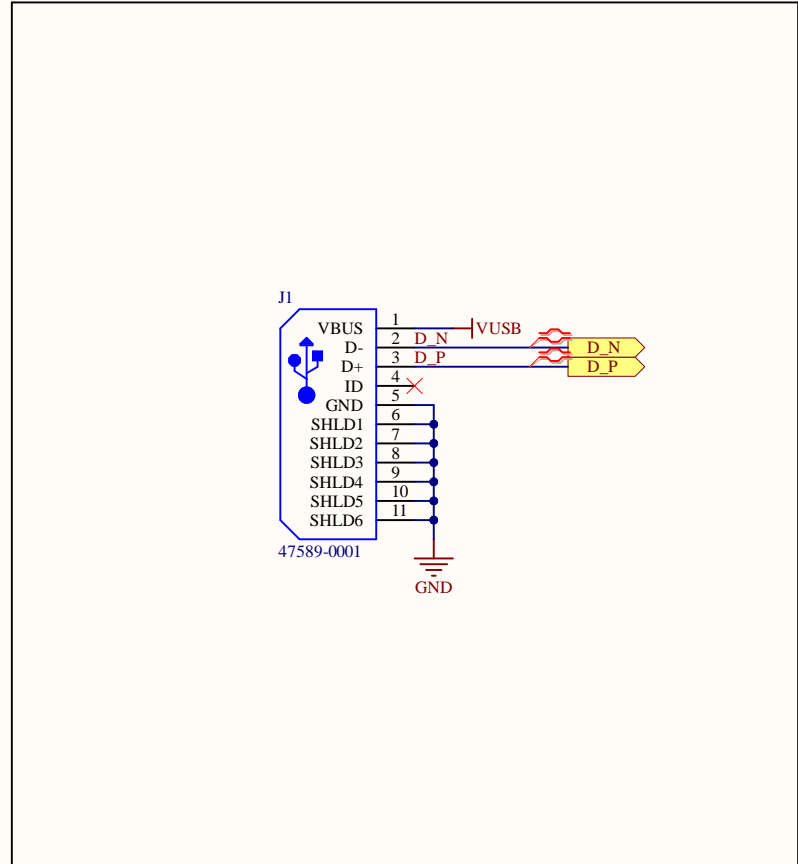


Title		
Size	Number	Revision
A		
Date:	1/05/2023	Sheet of
File:	Power.SchDoc	Drawn By:



Title		
Size	Number	Revision
A		
Date:	1/05/2023	Sheet of
File:	TopLevel.SchDoc	Drawn By:

Micro USB Connector



Title		
Size	Number	Revision
A		
Date:	1/05/2023	Sheet of
File:	USB.SchDoc	Drawn By: