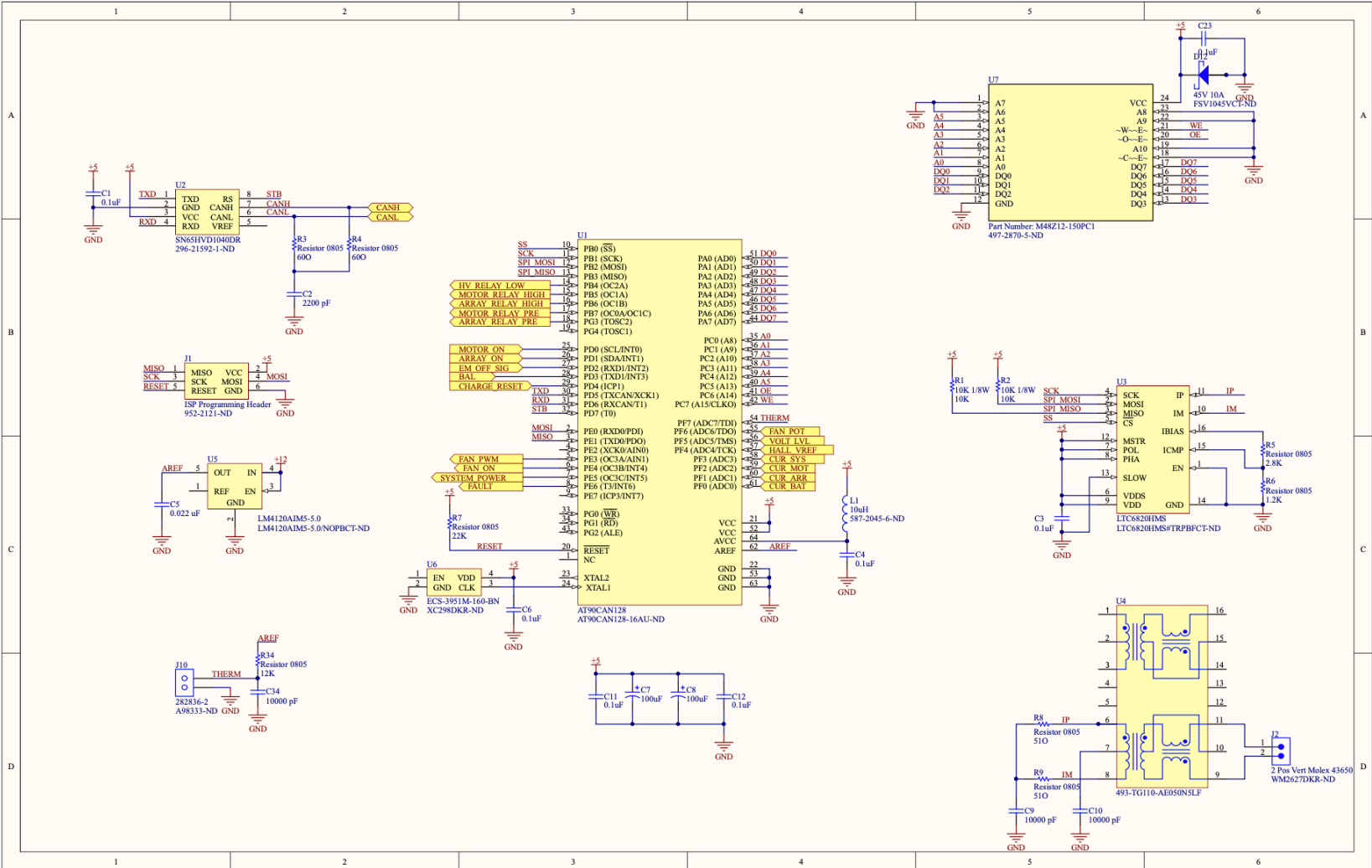
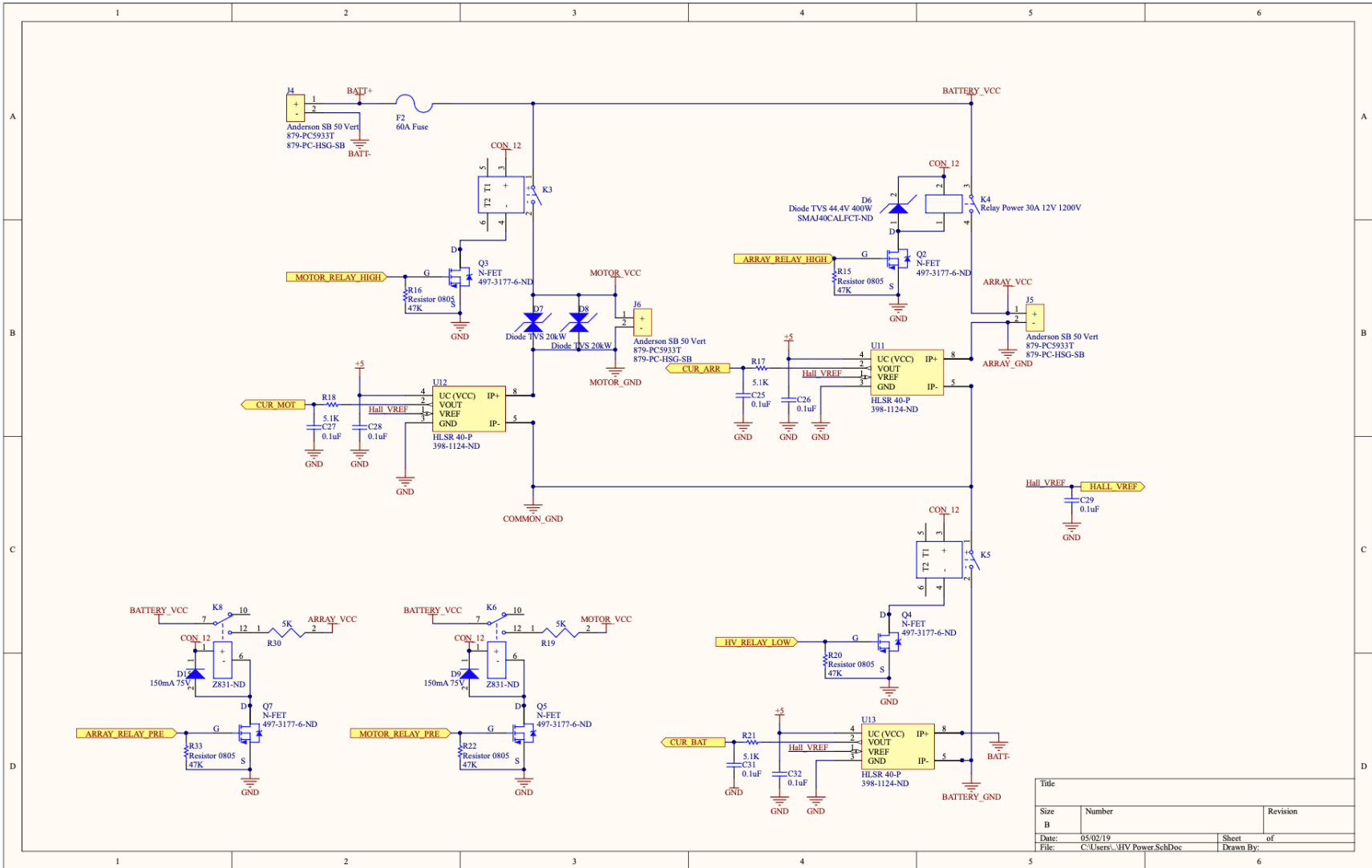
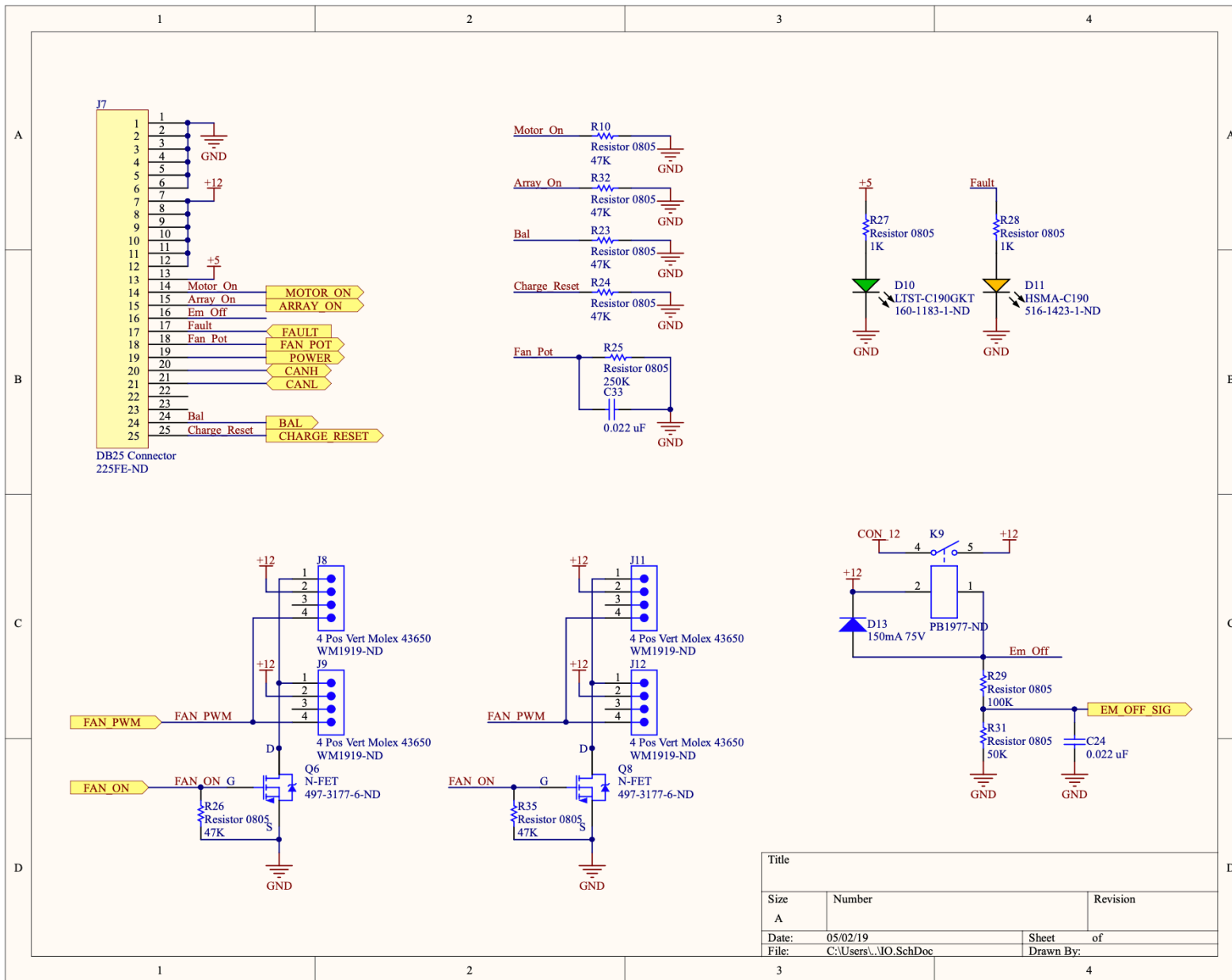


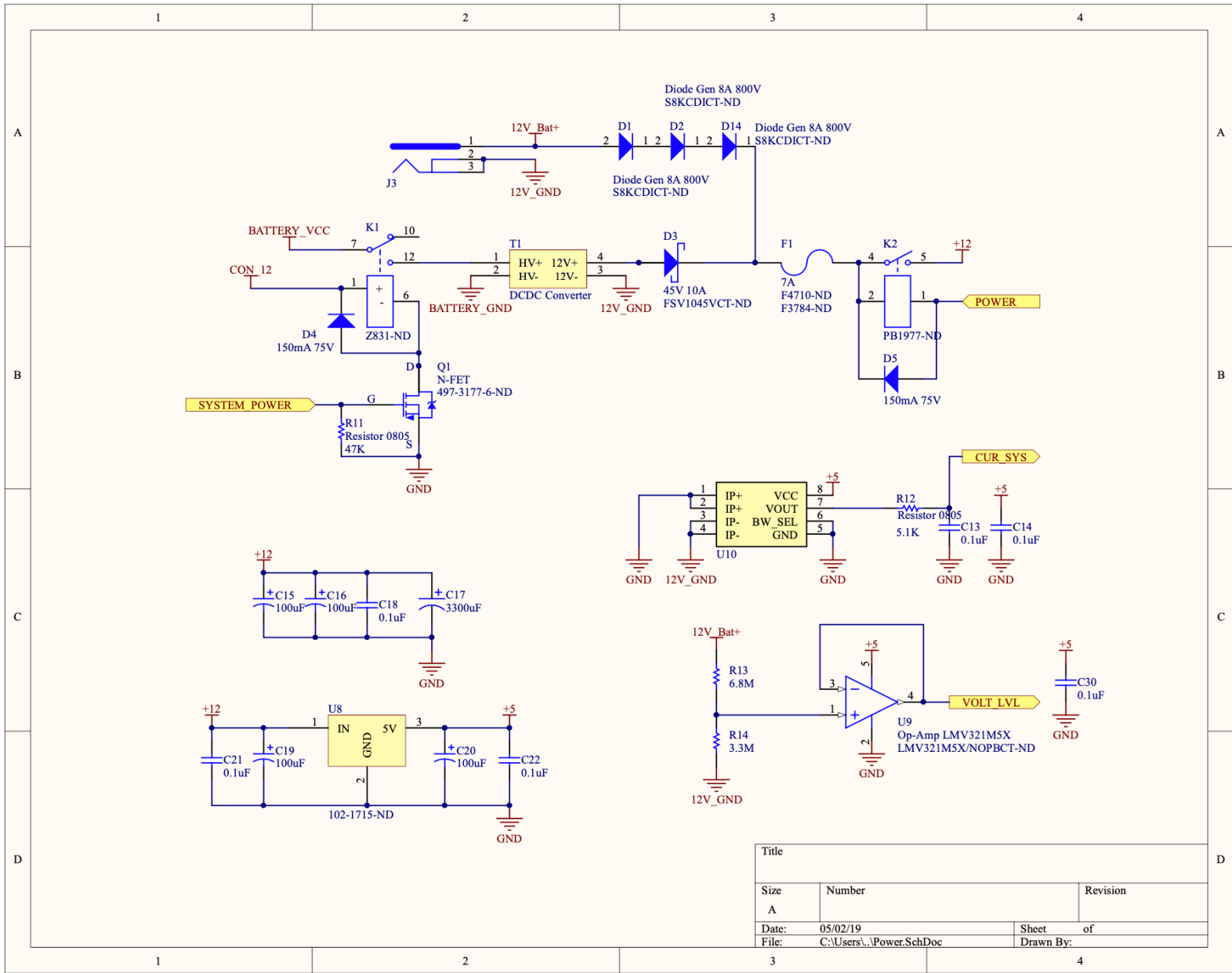
Headboard schematic:







Title		
Size	Number	Revision
A		
Date:	05/02/19	Sheet of
File:	C:\Users\...IO.SchDoc	Drawn By:



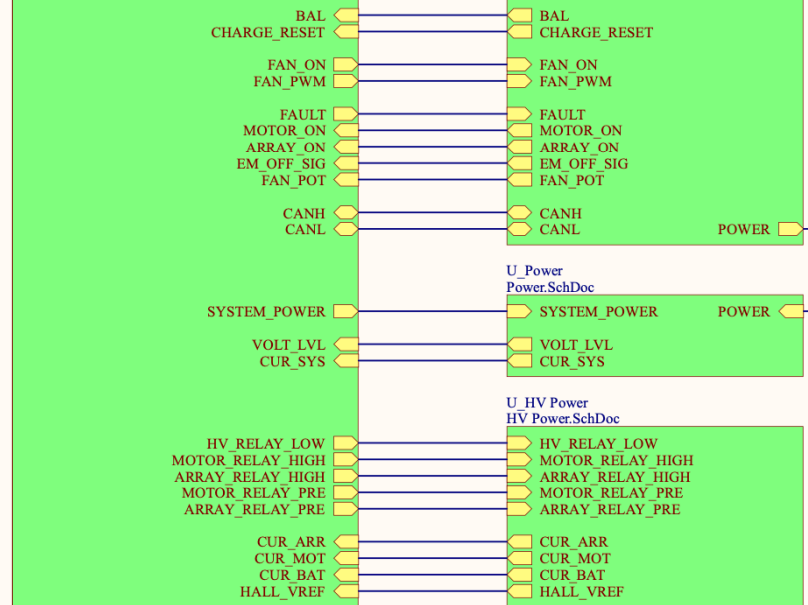
Title		
Size	Number	Revision
A		
Date:	05/02/19	Sheet of
File:	C:\Users\...\Power.SchDoc	Drawn By:

U_AT90CAN128
AT90CAN128.SchDoc

U_IO
IO.SchDoc

U_Power
Power.SchDoc

U_HV Power
HV Power.SchDoc



Title		
Size	Number	Revision
A		
Date:	05/02/19	Sheet of
File:	C:\Users\...\TopLevelDiagram.SchDoc	Drawn By:

